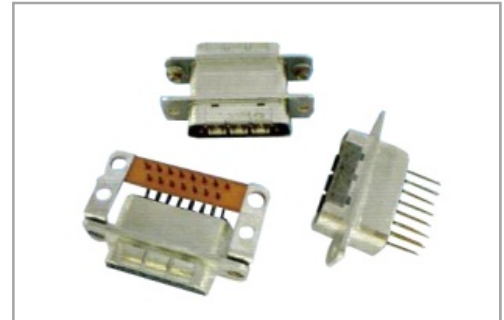


Shielding Box Filter

Features

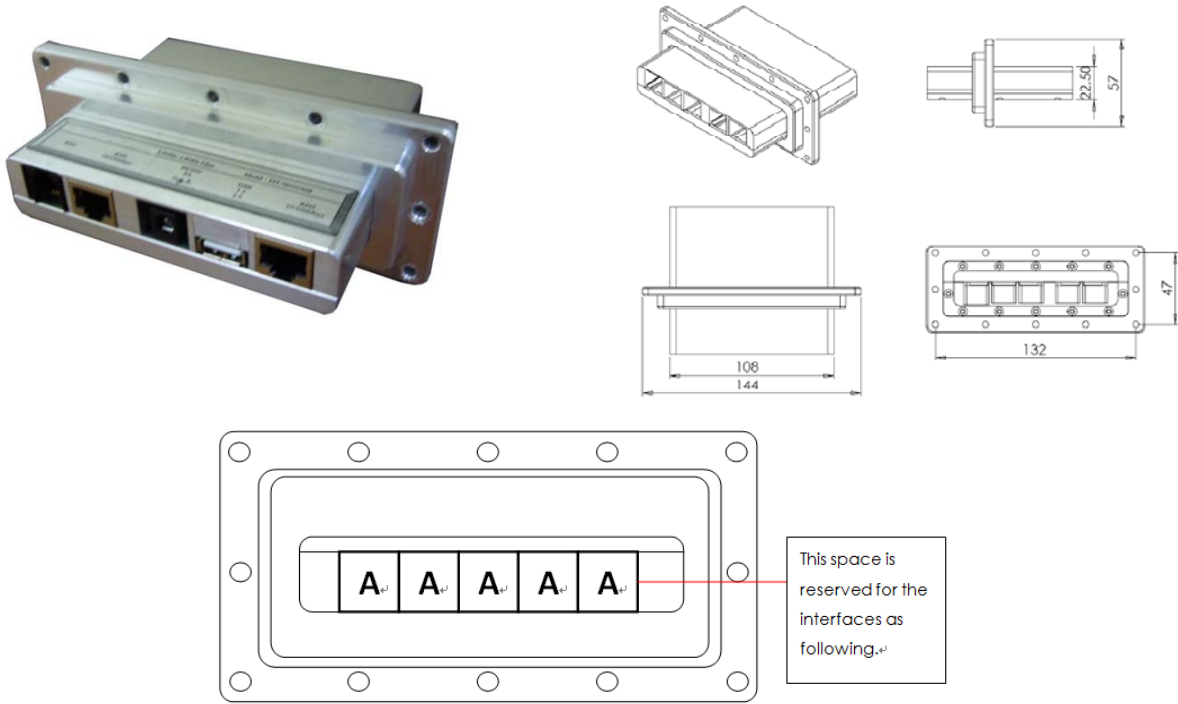
- Offer economic, high performance EMI/RFI protection.
- Matched .318", .405" and .590" PCB footprints mean "drop-in" replacement for non-filtered connectors.
- Connectors have industrial standard interface with D-Sub 9, 15, 25 and 36 positions.
- Connectors housing is recognized under the Component Program of Underwriters Laboratories, Inc.
- Connector body is certified by the Canadian Standards Association



Working Voltage	200VDC
Hi-Pot	500VDC Min. 5 sec
Capacitance	Various
Contact Resistance	10 milliohms max.
Current Rating	5 Amps

Model	Descriptions	xxx (Shell size/number of contacts)	yyy (Capacitance Value)
VF1-xxx-yyy	Pin to Right Angle	009 – 9 size 015 – 15 size 025 – 25 size 037 – 37 size	500 – 50 pF 101 – 100 pF 181 – 180 pF
VF2-xxx-yyy	Pin to Solder Cup		221 – 220 pF 471 – 470 pF
VF3-xxx-yyy	Socket to Straight PCB		821 – 820 pF 102 – 1000 pF 152 – 1500 pF
VF4-xxx-yyy	Socket to Solder Cup		222 – 2200 pF 562 – 5600 pF 473 – 47 nF

For more technical information, please contact us by:
TEL: +886-2-26947700 FAX: +886-2-26949821 Email: sales@vicommtech.com



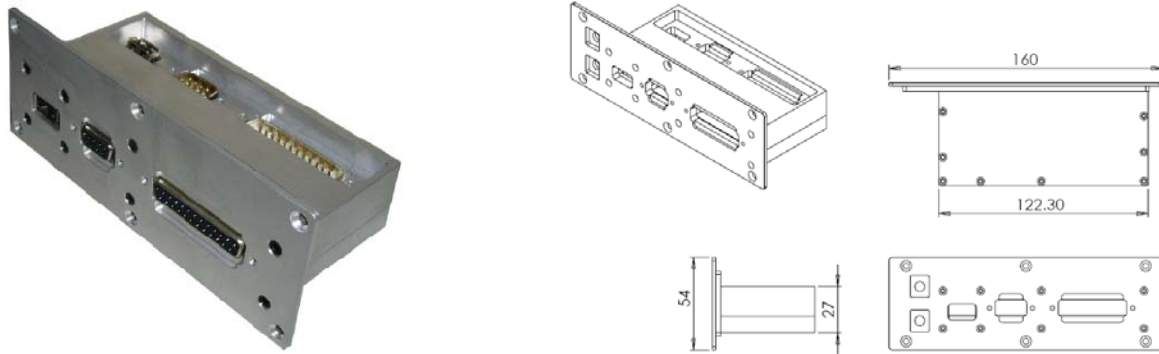
Optional Interfaces

Interface Size	RJ45	USB	DC	RJ11	PS2	RS232	VGA	PCIE	IDE	PCI
A	✓	✓	✓	✓	✓					
AA						✓	✓			
Single								✓	✓	✓
Isolation (dB)	80	80	80	80	80	80	80	40	40	50

Type	Voltage withstand	Current withstand	Frequency
DSUB 9	200mA	50V	600MHz
VGA	200mA	50V	600MHz
USB	200mA	50V	600MHz
RJ45	200mA	50V	600MHz
RJ11	200mA	50V	600MHz
PS2	200mA	50V	600MHz
DC	2000mA	250V	600MHz
AC	2000mA	250V	600MHz

For more technical information, please contact us by:
 TEL: +886-2-26947700 FAX: +886-2-26949821 Email: sales@vicommtech.com

Vertical shielding box filter (For V30 shielding box)



Type	Voltage withstand	Current withstand	Frequency	Shielding effectiveness
DSUB	200mA	50V	600MHz	>60dB
USB	200mA	50V	600MHz	>60dB
RJ45	200mA	50V	600MHz	>60dB
DC	2000mA	250V	600MHz	>60dB