

Isolator

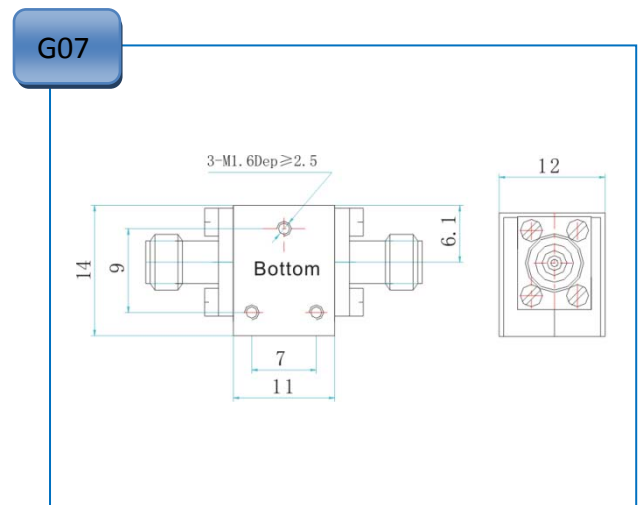
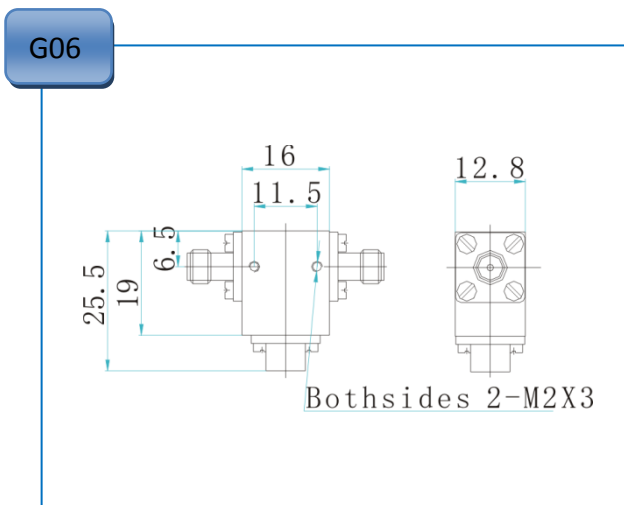
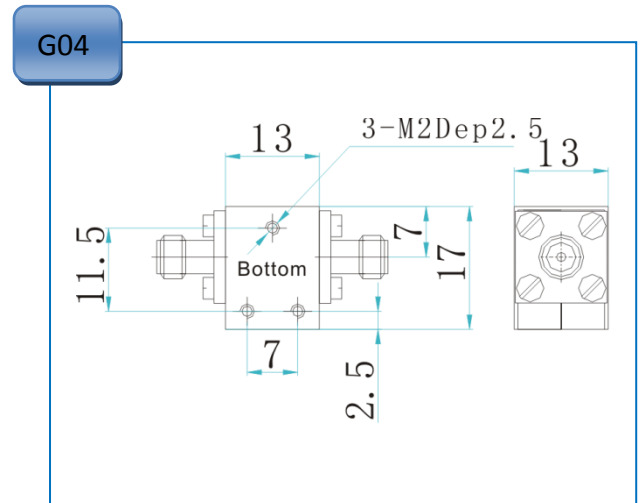
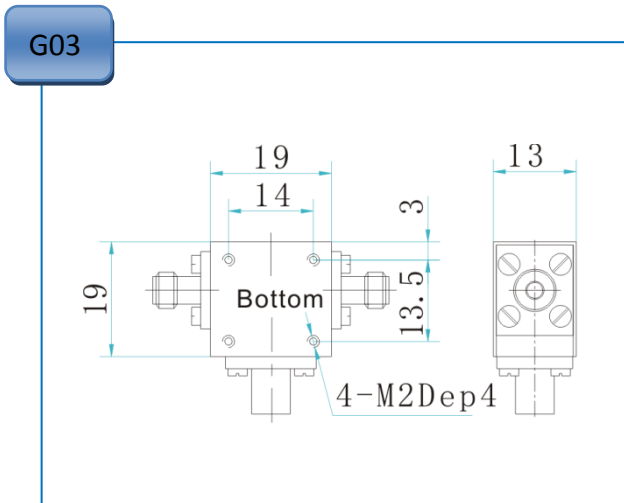
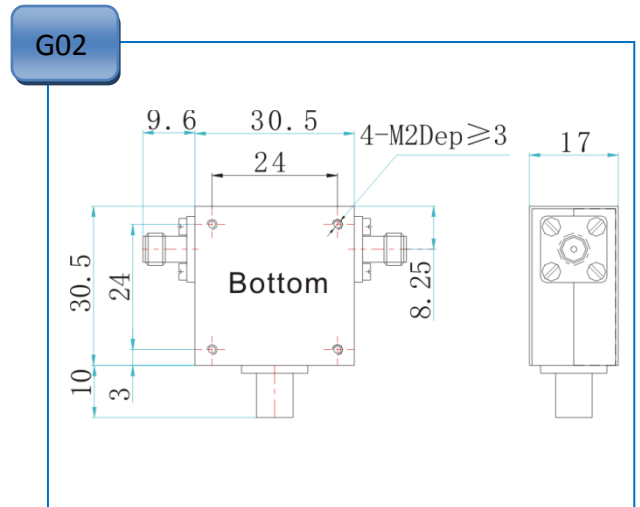
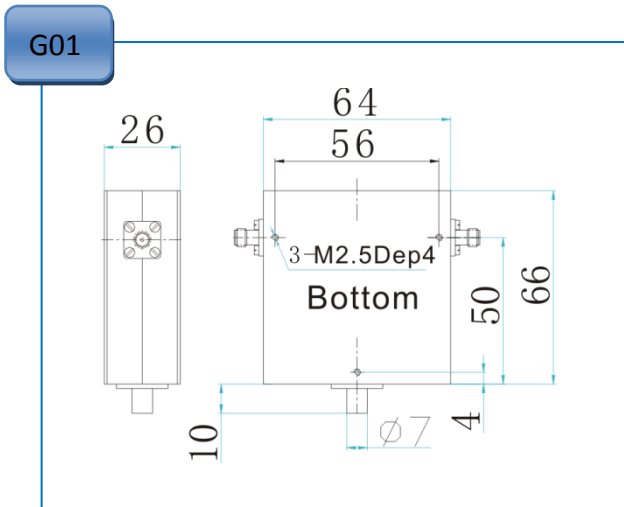
Specification

Part Number	Frequency Range	Iso(dB) Min	IL(dB) Max	VSWR Max	Average Power(W)	Operating Temperature	Package Code
G01S01	1-2GHz	17	0.7	1.45	50	+10~~+50°C	G01
G02S01	2-4GHz	18	0.5	1.35	30	-20~~+65°C	G02
G03S01	4-8GHz	19	0.5	1.3	30	-20~~+65°C	G03
G04S01	8-12.4GHz	20	0.5	1.3	20	-20~~+65°C	G04
G05S01	5-9GHz	19	0.5	1.3	30	-20~~+65°C	G03
G06S01	8-18GHz	16	1.0	1.6	10	-20~~+65°C	G06
G07S01	12-18GHz	19	0.6	1.35	10	-20~~+65°C	G07
G08S01	3-6GHz	19	0.5	1.35	30	-20~~+65°C	G08
G09S01	6-12GHz	19	0.6	1.35	30	-20~~+65°C	G09
G10S01	2-6GHz	12	2.3	1.7	10	-20~~+65°C	G10
G11S01	5-10GHz	18	0.6	1.35	50	-20~~+65°C	G03
G12S01	6-18GHz	10.5	1.5	1.8	10	-20~~+65°C	G06
G13S01	7-12.4GHz	18	0.5	1.35	10	-20~~+65°C	G04

Input/output: SMA (Default), other configure: N-type, Microstrip line are available.

Finish: Nickel plated (default)

Outline Drawing



For more technical information, please contact us by:
TEL: +886-2-26947700 FAX: +886-2-26949821 Email: sales@vicommtech.com

