

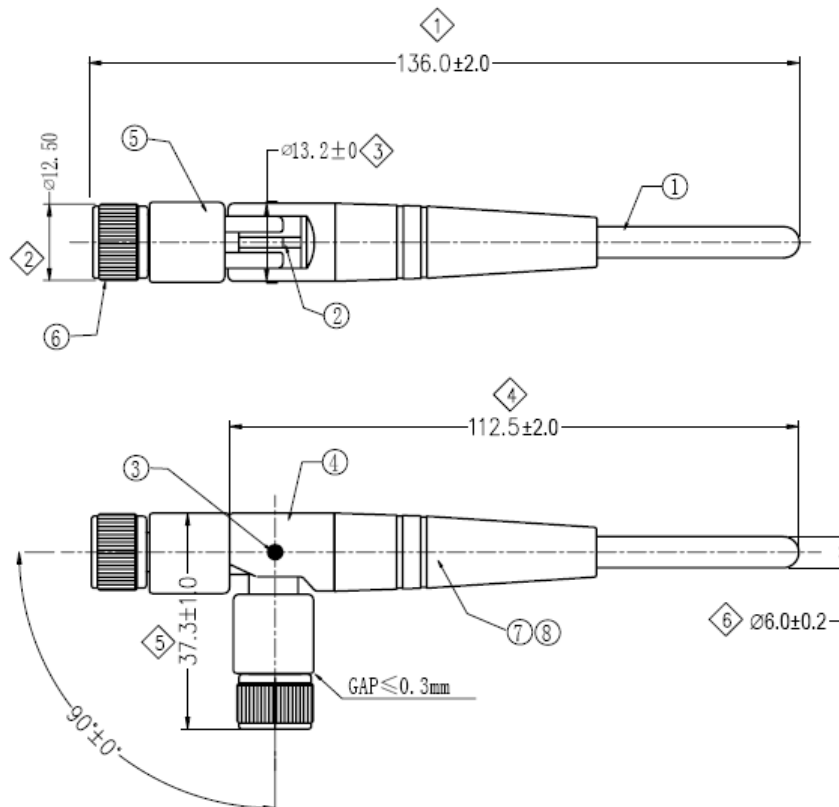
Antenna 2.40 / 5.80GHz

Specification

- Frequency Rang : 2.40 ~ 2.50GHz / 4.90 ~ 5.85GHz
- VSWR \leq 2.5
- Peak gain : 3.0dB
- Impedance : 50 Ω
- Polarization: Vertical
- Operating temperature range: -30°C to +70°C



Outline drawing



For more technical information, please contact us by:
TEL: +886-2-26947700 FAX: +886-2-26949821 Email: sales@vicommtech.com

Antenna 0.8~2.2GHz

Specification

- Operation Frequency: GSM Dual Band
- Input Impedance: 50Ω
- V.S.W.R : 2:0 Max
- Antenna Gain : 1.5dBi (Ref.)
- Polarization: Linear
- Size: 50mm(AppR.)
- Cable Length: None
- Connector: SMA-STR; R/A



Coupler Antenna

Frequency: 900/1800/1900

Connector: SMA

